



Subject: Modeling & Simulation

Batch: 12BME

Year: 3rd Term: 6th

Lab Handout – 05

Name: _____	Roll No: _____	
Date: _____	Signature of Tutor: _____	Score: _____

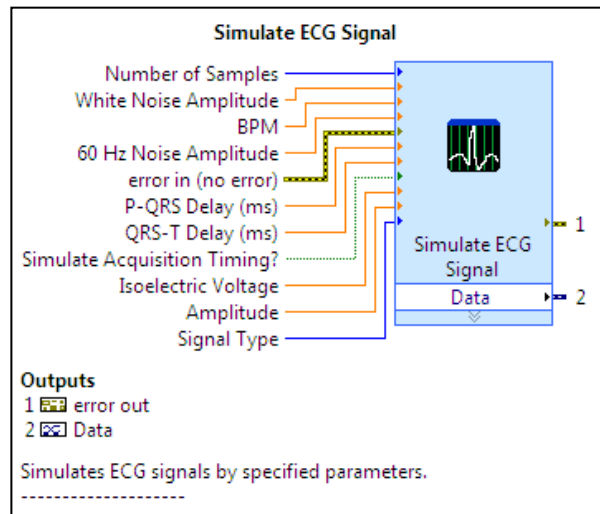
SIMULATION OF ECG SIGNAL IN LAB VIEW

Lab Objective:

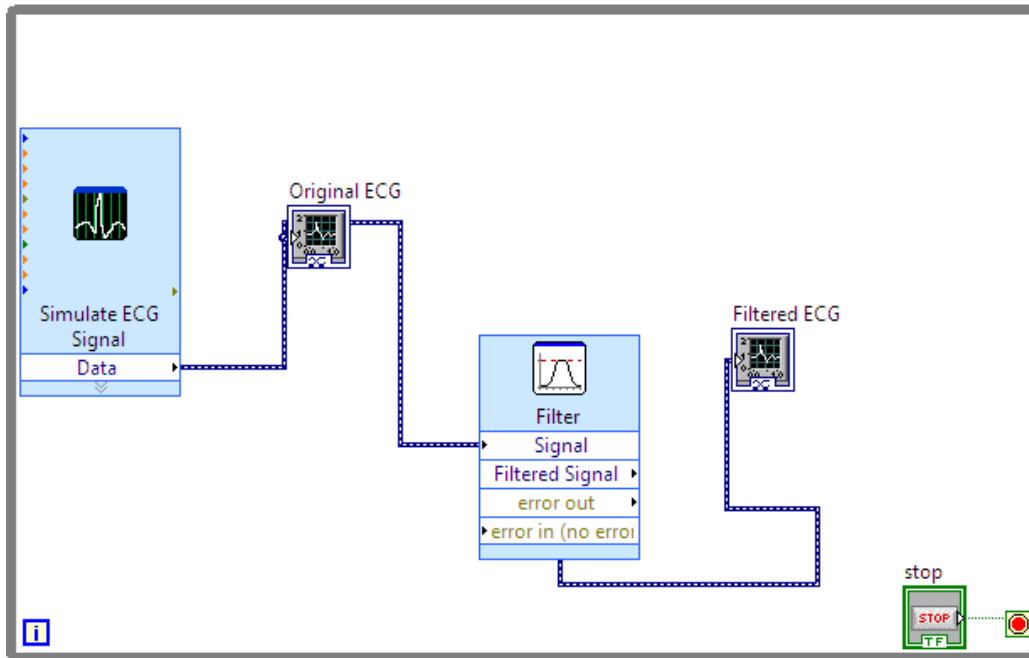
To simulate ECG signal using Labview.

Introduction: In this lab student can practice ECG simulation and filter out the noise to visualize a random ECG waveform.

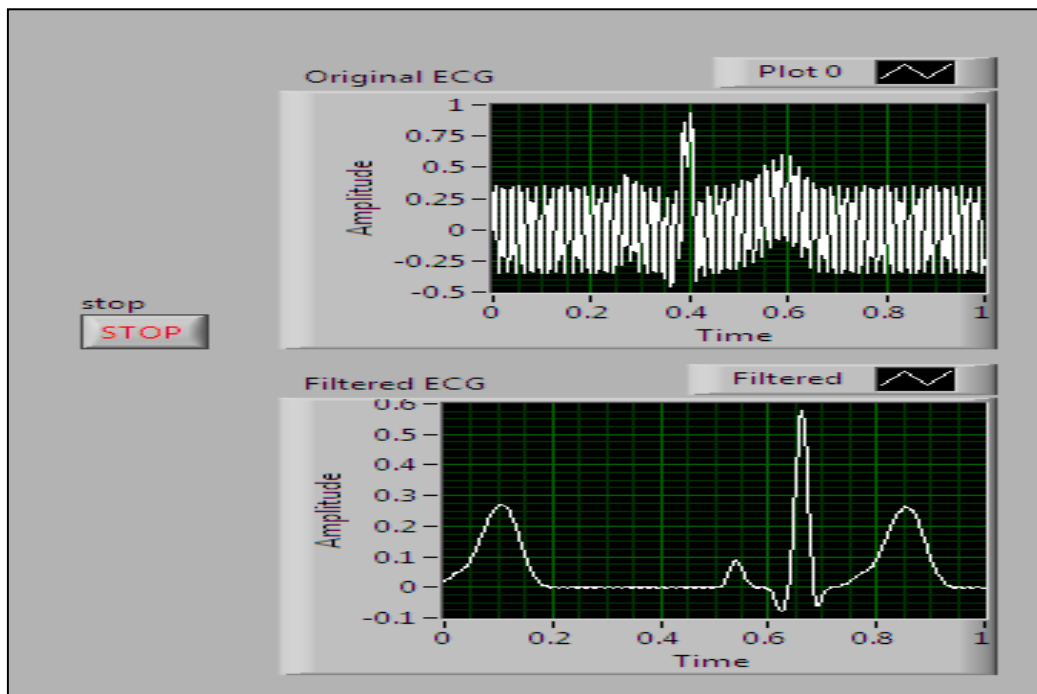
Simulate ECG Signal:



Block Diagram:



Front Panel:



Lab task: Get ECG signal by using read and write measurement.